

# Mechanical Room THERMOSTAT

Model No. RT100



Thank you for purchasing the Salus RT100 mechanical room thermostat. If installing for someone else, please ensure this manual is handed to the householder.

**Warning** - Please read this manual prior to installation or use.

### Shock Hazard

This unit must be installed by a competent person, in accordance with BS7671 (The IEE Wiring Regulations), or other relevant national regulations and codes of good practice.

Always isolate the AC mains supply before removing the unit from the wall.

### Characteristics

- Smart and simple housing
- 2 wire installation
- Suitable for replacement market
- Voltage free contacts
- High sensitivity and reliability

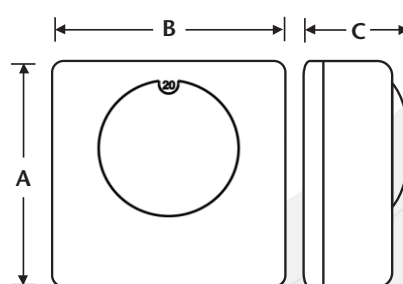
### Specifications and Technical Data

WORKING RANGE	10 - 30°C
TEMPERATURE DIFFERENCE	0.5 - 0.8°C
OUTPUT SIGNAL	1A 250V AC
WIRING CONNECTION	Terminals and Wiring: 0.5 - 1.5mm <sup>2</sup>
HOUSING	Colour White Material Fireproof PC / ABS plastic

### Installation Instruction

1. Mount the thermostat vertically on the wall in the room. It should be 1.5m above the floor so that it can measure the room temperature accurately with enough air passing through.
2. Install the thermostat in the place without direct shining and far away from cooking device or other heat sources.
3. Take out the temperature adjusting knob, loosen the screw on the cover. Remove the cover according to the Installation Diagrams.
4. Fix the base on the connection box with screws.
5. Pass the wires through the square hole of the base. Connect the wires to the terminal according to the Installation Diagram inside the cover and tighten them. Details please see the Installation Diagram.

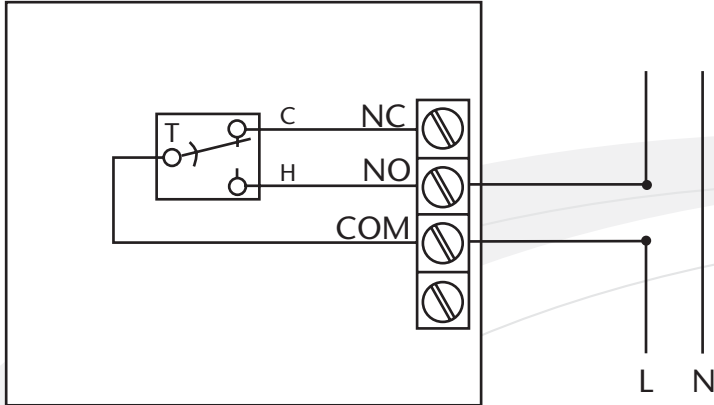
### Dimension (mm)



A	B	C
73	73	38

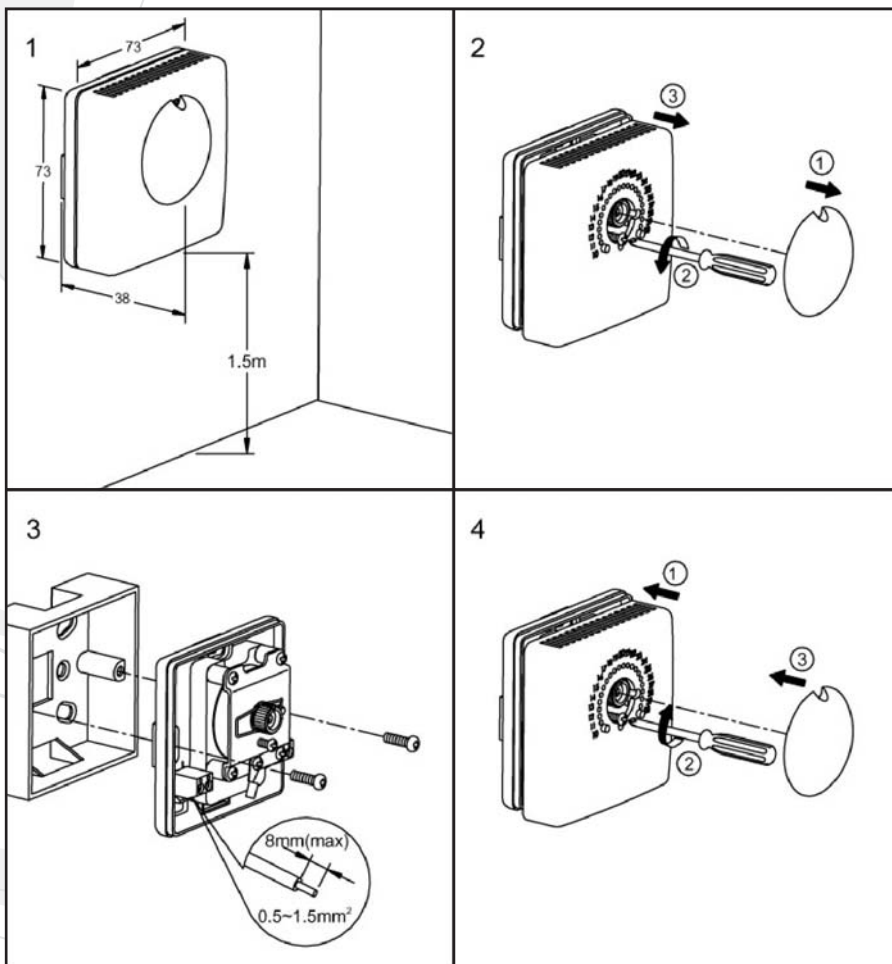
# Mechanical Room THERMOSTAT

## Wiring Diagram



Terminal NO for use with heating. Terminal NC for cooling.

## Installation Diagram



**SALUS**  
CONTROLS

Sales +44 (0) 8700 766900

Technical +44 (0) 8700 766902

Salus Controls plc  
Enterprise Park, Bala, Gwynedd, LL23 7NL  
Regional offices, England & Scotland.

Web: [www.salus-tech.com](http://www.salus-tech.com)  
Email: [sales@salus-tech.com](mailto:sales@salus-tech.com)

Maintaining a policy of continual product development Salus Controls plc. reserve the right to change specification, design and materials of products listed in this brochure without prior notice.

Manual Issue No. IM-RT100-001