

AE-Y310A & AE-Y310F Instructions

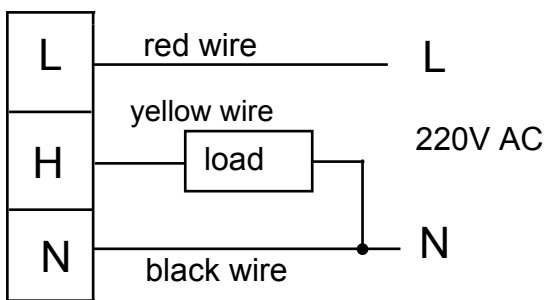
Technical Data

Operating voltage: AC 220...240 V
Frequency: 50 or 60 Hz
Max load: 16A
Setpoint setting range: AE-Y310A 5...30 °C;
AE-Y310F 20...60°C(or 5...30°C optional)

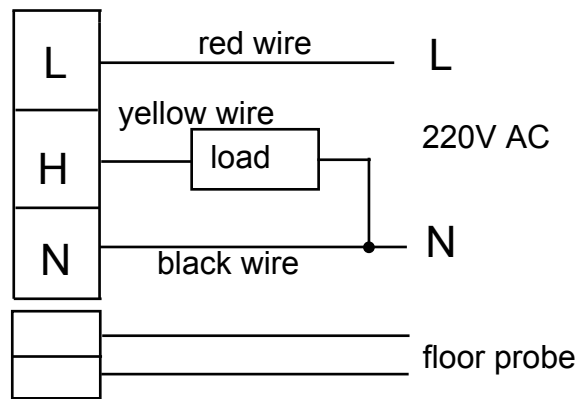
Working Temperature: 0...+60 °C
Relative humidity: <95%
Storage Temperature: -20...+60 °C
Degree of protection: IP20
Colour: white

Wiring Diagram

AE-Y310A

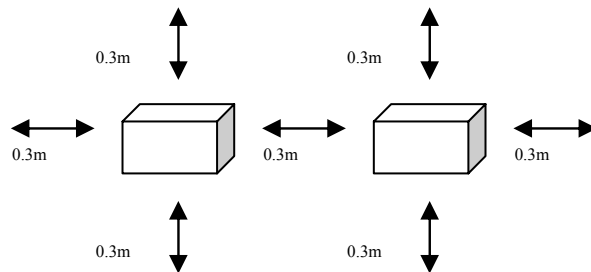


AE-Y310F



Installation Instructions

1. Slide out the AE-Y310 unit from the panel plate. Fix the panel plate onto a power line switch box or on the wall.
2. In order to ensure the accuracy of the temperature sensor inside, there should be no blocking surrounding the unit. The minimum space is indicated as below:



3. Connect the AE-Y310 unit with load as per the wiring diagram.
4. Slide the unit back to the panel plate. Check that the unit is firmly fixed onto the panel plate.



This product should be installed by a qualified electrician.